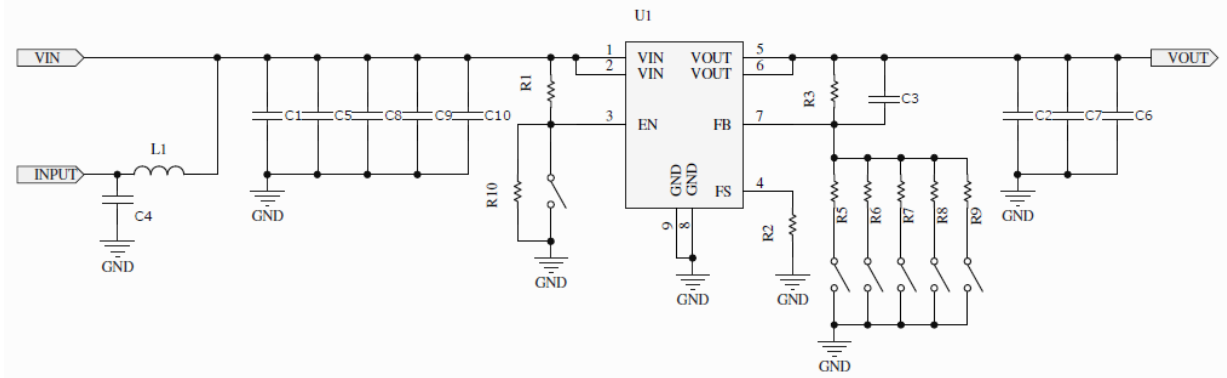
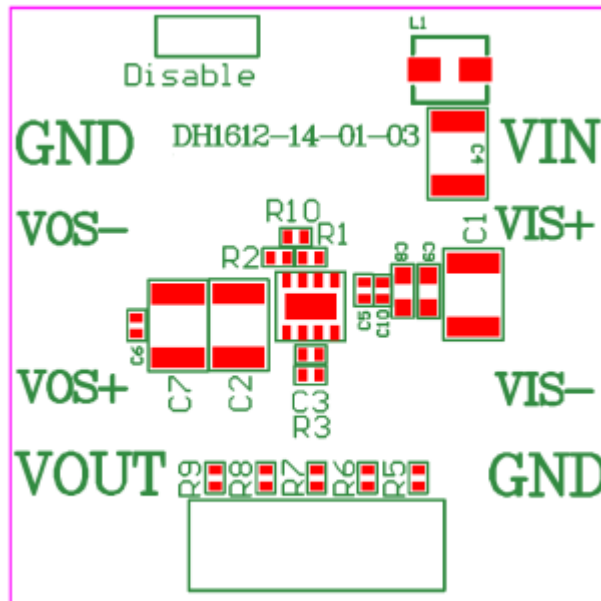


EVALUATION BOARD SCHEMATIC:



TEST POINTS INFORMATION:



PROGRAMMING OUTPUT VOLTAGE:

$$V_{OUT} (V) = 0.6 \times \left(1 + \frac{100k}{R_{FB}} \right) \quad (EQ.1)$$

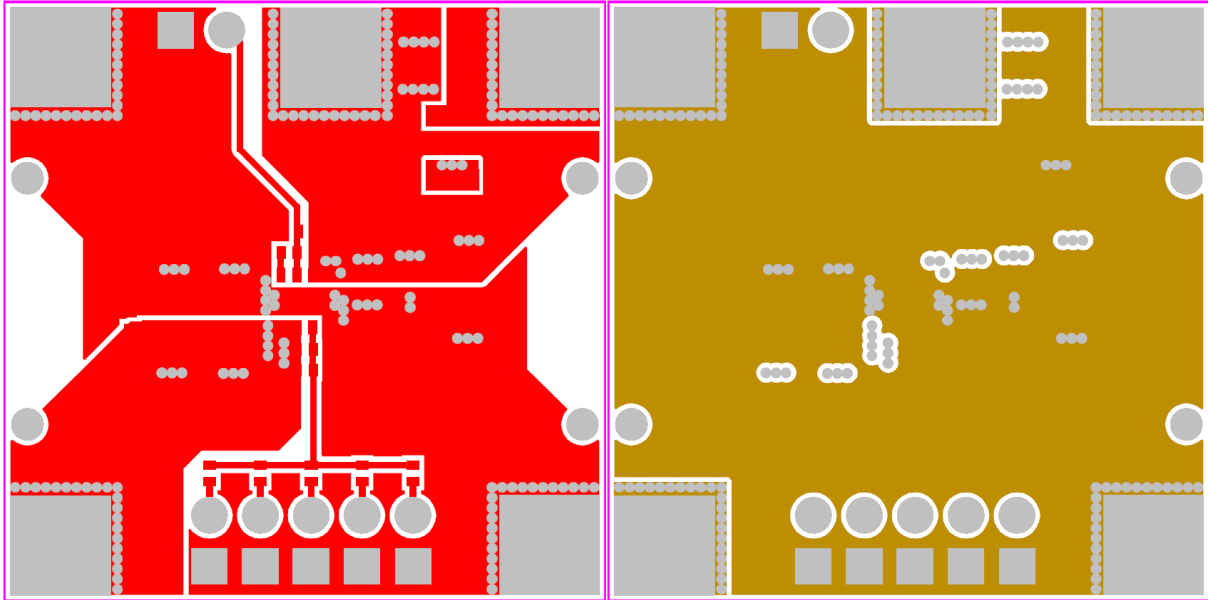
| | | | | | |
|-----------------|---------|---------|---------|---------|---------|
| Vout (V) | 2.0 | 2.5 | 3.3 | 5.0 | 6.0 |
| R _{FB} | 42.86KΩ | 31.58KΩ | 22.22KΩ | 13.64KΩ | 11.11KΩ |

TABLE 1: OUTPUT VOLTAGE SETTING BY CALCULATION

BOM LIST:

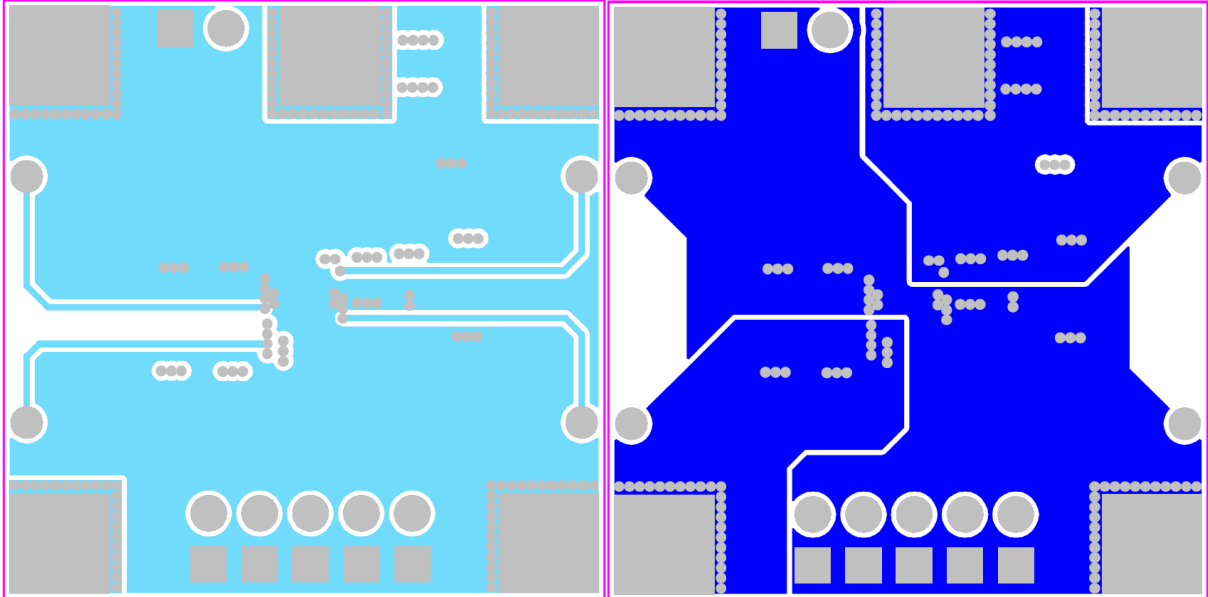
| Designator | Function | Description |
|------------|------------------|----------------------------------|
| C1 | Input Cap | MLCC / 10uF / 50V / X7R / 1210 |
| C2 | Output Cap | MLCC / 22uF / 16V / X7R / 1210 |
| C3 | Compensation Cap | MLCC / 100pF / 50V / NPO / 0402 |
| C4 | EMI filter | MLCC / 10uF / 50V / X7R / 1210 |
| C5 | EMI filter | MLCC / 100pF / 50V / X7R / 0402 |
| C6 | Output Cap | MLCC / 0.1uF / 50V / X7R / 0402 |
| C7 | Output Cap | MLCC / 22uF / 16V / X7R / 1210 |
| C8 | EMI filter | MLCC / 0.01uF / 50V / X7R / 0603 |
| C9 | EMI filter | MLCC / 0.1uF / 50V / X7R / 0603 |
| C10 | EMI filter | MLCC / 1nF / 50V / X7R / 0402 |
| R1 | ENH | 100k ohm / 0402 |
| R2 | RFS | - |
| R3 | RFBH | 100k ohm / 0402 |
| R5 | RFBL | 43k ohm / 0402 |
| R6 | RFBL | 31.6k ohm / 0402 |
| R7 | RFBL | 22.1K ohm / 0402 |
| R8 | RFBL | 13.7K ohm / 0402 |
| R9 | RFBL | 11K ohm / 0402 |
| R10 | ENL | - |
| L1 | EMI filter | SDEM25201B-2R2MS |
| U1 | Module | VUN12AD01-SH |

PRINTED CIRCUIT BOARD LAYOUT:



Top Layer

Mid 1 Layer



Mid 2 Layer

Bottom Layer



VUN12AD01-SHC EVB GUID

REVISION HISTORY:

| Date | Revision | Changes |
|------------|----------|--------------------------------------|
| 2019.03.21 | 00 | Issue initial preliminary EVB guide. |