

## 3A, High Efficiency uPOL Module

## MUN20AD03-SM

### FEATURES:

- High Density uPOL Module
- 3A Output Current
- Input Voltage Range from 9V to 24V
- Output Voltage Range from 0.6V to 5.5V
- 93% Peak Efficiency(@Vin=20V)
- Enable / PGOOD Function
- Automatic Power Saving/PWM Mode
- Protections (OCP, OTP, SCP, OVP: Non-latching )
- Internal Soft Start
- Compact Size: 6mm\*6mm\*3.5mm(Max)
- Pb-free for RoHS compliant
- MSL 2, 250C Reflow

### APPLICATIONS:

- Distributed Power Supply
- Server, Workstation, and Storage
- Networking and Datacom

### GENERAL DESCRIPTION:

The uPOL module is non-isolated dc-dc converters that can deliver up to 3A of output current. The PWM switching regulator, high frequency power inductor are integrated in one hybrid package.

The module has automatic operation with PWM mode and power saving mode according to loading. Instant PWM architecture to achieve fast transient responses. Other features include remote enable function, internal soft-start, non-latching over current protection and power good.

The low profile and compact size package (6.0mm × 6.0mm x 3.5mm) is suitable for automated assembly by standard surface mount equipment. The uPOL module is Pb-free and RoHS compliance.

### TYPICAL APPLICATION CIRCUIT:

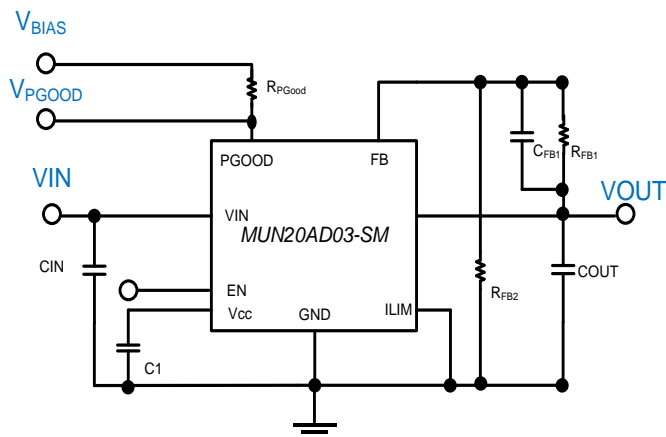


FIGURE. 1 TYPICAL APPLICATION CIRCUIT

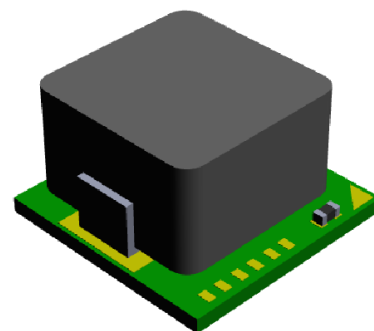


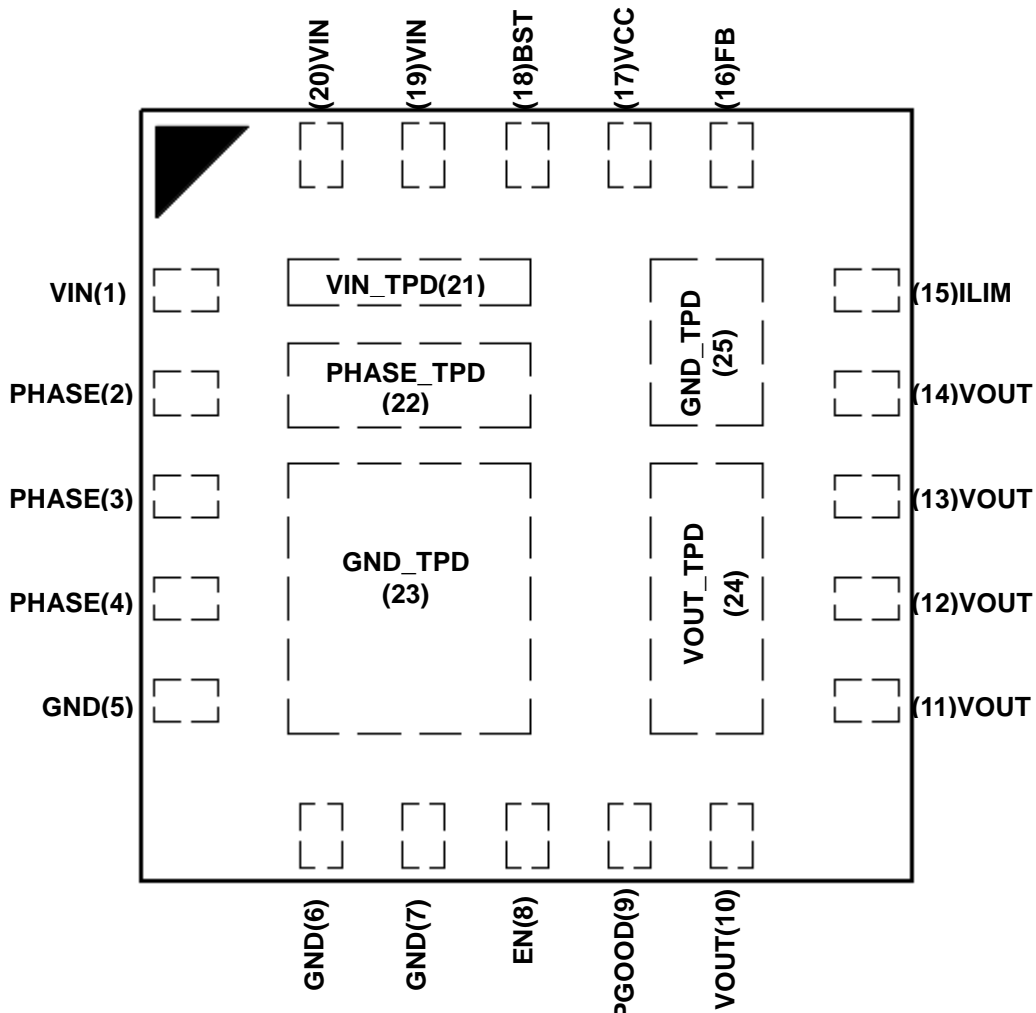
FIGURE. 2 HIGH DENSITY uPOL MODULE

## ORDER INFORMATION:

Part Number	Ambient Temp. Range (°C)	Package (Pb-Free)	MSL	Note
MUN20AD03-SM	-40 ~ +85	QFN	Level 2	-

Order Code	Packing	Quantity
MUN20AD03-SM	Tape and reel	1000

## PIN CONFIGURATION:



**TOP VIEW**

**PIN DESCRIPTION:**

<b>Symbol</b>	<b>Pin No.</b>	<b>Description</b>
VIN	1, 19, 20	Power input pin. It needs to connect input rail and thermal exposed pad of VIN_TPD(21) for heat transferring. Place the input ceramic type capacitor as closely as possible to this pin. One capacitor of 10uF at least for input capacitance.
PHASE	2, 3, 4	Switch output. Connect to thermal exposed pad of PHASE_TPD(22) for heat transferring.
GND	5, 6, 7	Power ground pin for signal, input, and output return path. This pin needs to connect one or more ground plane directly. Connect to thermal exposed pad of GND_TPD(23, 25) for heat transferring.
EN	8	On/Off control pin for module.
PGOOD	9	Power good signal pin. Open drain output when the output voltage is within 90% to 120% of regulation point.
VOUT	10, 11, 12, 13, 14	Power output pin. Connect to output and thermal exposed pad of VOUT_TPD(24) for heat transferring. Place the output capacitors as closely as possible to this pin.
ILIM	15	Current limit setting pin. Connect to GND for current limit setting.
FB	16	Feedback input. Connect an external resistor divider from the VOUT to FB to program the output voltage.
VCC	17	Internal 3.3V LDO output. Power supply for internal analog circuits and driving circuit. Connect a 2.2uF for Bypass capacitor.
BST	18	Boot-Strap Pin. No need connect.
VIN_TPD	21	Power input pin. Connect input rail and using for heat transferring to heat dissipation layer by Vias connection.
PHASE_TPD	22	Phase node pin. Using for heat transferring to heat dissipation layer by Vias connection.
GND_TPD	23, 25	Power ground pin. It needs to connect one or more ground plane directly and using for heat transferring to heat dissipation layer by Vias connection.
VOUT_TPD	24	Power output pin. Connect to output and using for heat transferring to heat dissipation layer by Vias connection.

## ELECTRICAL SPECIFICATIONS:

CAUTION: Do not operate at or near absolute maximum rating listed for extended periods of time. This stress may adversely impact product reliability and result in failures not covered by warranty.

Parameter	Description	Min.	Typ.	Max.	Unit
■ Absolute Maximum Ratings					
VIN to GND		-	-	+30.0	V
VOUT to GND		-	-	+6.0	V
PHASE to GND				+30.0	V
PGOOD to GND				+30.0	V
ILIM to GND				+4.0	V
VCC to GND				+4.0	V
FB to GND				+4.0	V
EN to GND		-	-	+30.0	V
Tc	Case Temperature of Inductor	-	-	+110	°C
Tstg	Storage Temperature	-40	-	+125	°C
■ Recommendation Operating Ratings					
VIN	Input Supply Voltage	+9	-	+24	V
VOUT	Adjusted Output Voltage	+0.6		+5.5	V
Ta	Ambient Temperature	-40	-	+85	°C
■ Thermal Information					
Rth(jchoke-a)	Thermal resistance from junction to ambient (Note 1)	-	21.7	-	°C/W

NOTES:

1. Rth(jchoke-a) is measured with the component mounted on an effective thermal conductivity test board on 0 LFM condition. The test board size is 30mm×30mm×1.6mm with 4 layers. The test condition is complied with JEDEC EIJ/JESD 51 Standards.

**ELECTRICAL SPECIFICATIONS: (Cont.)**

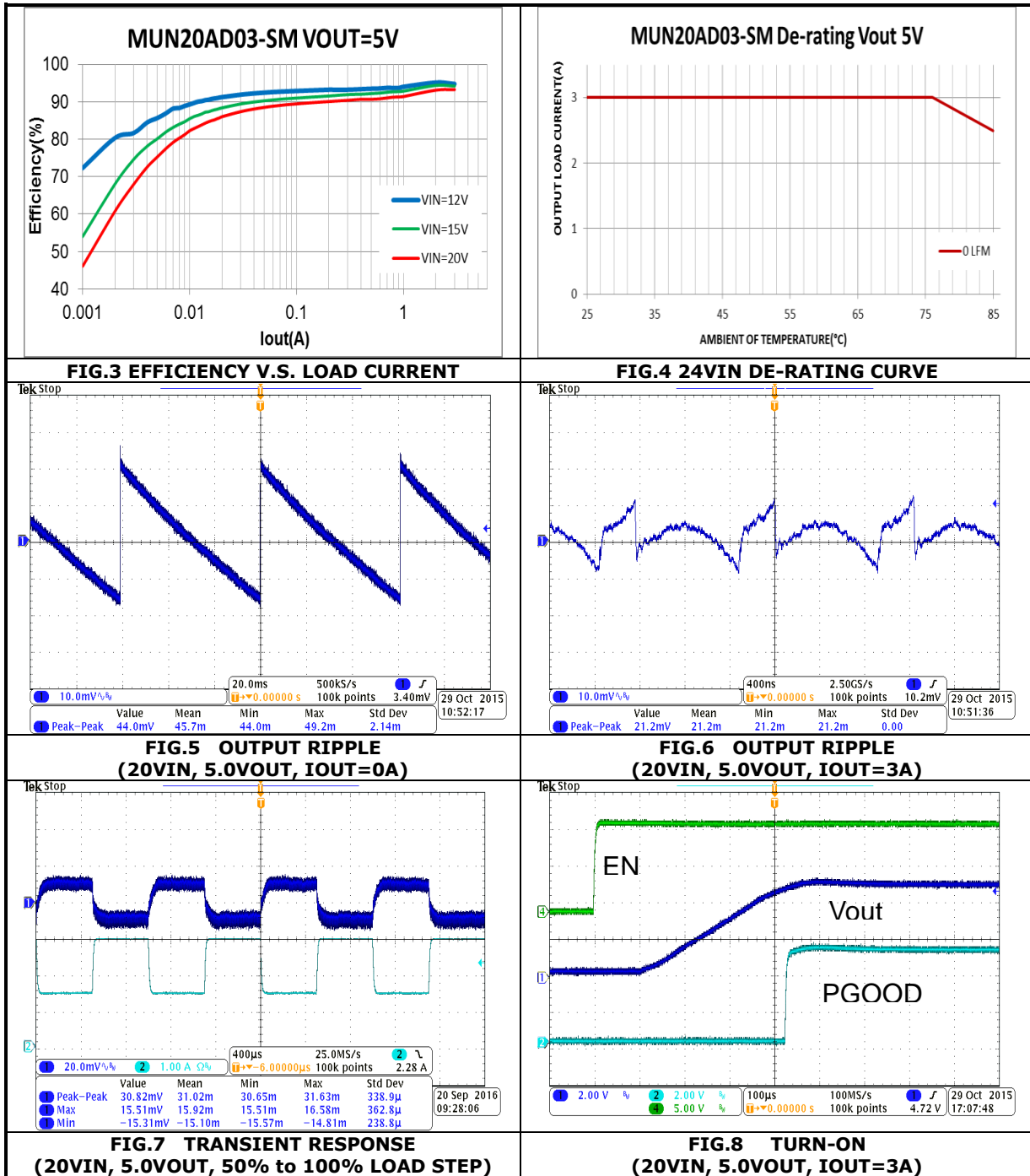
Conditions:  $T_A = 25\text{ }^\circ\text{C}$ , unless otherwise specified. Test Board Information: 30mm×30mm×1.6mm, 4 layers 2 Oz.  
The output ripple and transient response measurement is short loop probing and 20MHz bandwidth limited.  
 $V_{in}=20V$   $V_{out}= 5V$   $C_{in} = 10\mu\text{F}/25V$  1206×2,  $C_{out} = 47\mu\text{F}/6.3V/$  1206×3

Symbol	Parameter	Conditions	Min.	Typ.	Max.	Unit
<b>■ Input Characteristics</b>						
$I_{SD(IN)}$	Input shutdown current	$V_{in} = 20V, EN = GND$	-	10	-	$\mu\text{A}$
$I_{(IN)}$	Input supply current	$V_{in} = 20V, I_{out} = 0A$ $V_{out} = 5V, EN = 5V$	-	100	-	$\mu\text{A}$
$I_{S(IN)}$	Input supply current	$V_{in} = 20V, EN = V_{in}$				
		$I_{out} = 5mA, V_{out} = 5V$	-	2	-	mA
		$I_{out} = 3A, V_{out} = 5V$	-	1	-	A
<b>■ Output Characteristics</b>						
$I_{OUT(DC)}$	Output continuous current range		0	-	3	A
$V_{O(SET)}$	Output Voltage Set Point	With 0.1% tolerance for external resistor used to set output voltage	-3		+3	% $V_{O(SET)}$
$\Delta V_{OUT}/\Delta V_{IN}$	Line regulation accuracy	$V_{in} = 12$ to $20V$ $V_{out} = 5V, I_{out} = 0A$ $V_{out} = 5V, I_{out} = 3A$	-	2		% $V_{O(SET)}$
$\Delta V_{OUT}/\Delta I_{OUT}$	Load regulation accuracy	$I_{out} = 0A$ to $3A$ $V_{in} = 20V, V_{out} = 5V$	-4		+3	% $V_{O(SET)}$
$V_{OUT(AC)}$	Output ripple voltage	$V_{in} = 20V, V_{out} = 5V$ $EN = V_{in}, 20\text{MHz Bandwidth}$	-	-	-	-
		$I_{OUT} = 5mA$		50		mVp-p
		$I_{OUT} = 3A$		20		mVp-p
<b>■ Dynamic Characteristics</b>						
$\Delta V_{OUT-DP}$	Voltage change for positive load step	$I_{out} = 1.5A$ to $3A$ Current slew rate = $0.15A/\mu\text{S}$ $V_{in} = 20V, V_{out} = 5V$	-	30	-	mVp-p
$\Delta V_{OUT-DN}$	Voltage change for negative load step	$I_{out} = 3A$ to $1.5A$ Current slew rate = $0.15A/\mu\text{S}$ $V_{in} = 20V, V_{out} = 5V$	-	30	-	mVp-p
<b>■ Control Characteristics</b>						
$F_{OSC}$	Oscillator frequency	PWM Mode		0.8		MHz
$V_{REF}$	Reference voltage	PWM Mode	0.594	0.600	0.606	V
$V_{PG}$	Power good threshold	$V_{FB}$ Rising	88	90	92	% $V_{REF}$
$V_{PGL}$	Power good Low	$I_{POOD}=4mA$	0.04	0.15	0.3	V
$I_{LIM}$	Over current limit	$I_{LIM}=GND$	4		8	A
$V_{ENL}$	EN Low threshold		-	-	0.3	V
$V_{ENH}$	EN High Threshold		0.85	-	$V_{IN}$	V
$T_{SS}$	Soft Start Time			600		$\mu\text{S}$
$E_{ff}$	Efficiency	$V_{IN}=20V, V_{OUT}=5V$ $I_{OUT}=3A$		93		%

## TYPICAL PERFORMANCE CHARACTERISTICS: (5.0VOUT)

Conditions:  $T_A = 25\text{ }^\circ\text{C}$ , unless otherwise specified. Test Board Information: 30mm×30mm×1.6mm, 4 layers 2 Oz. The output ripple and transient response measurement is short loop probing and 20MHz bandwidth limited.  $C_{in} = 10\mu\text{F}/25\text{V } 1206\times 2$ ,  $C_{out} = 47\mu\text{F}/6.3\text{V}/ 1206\times 3$

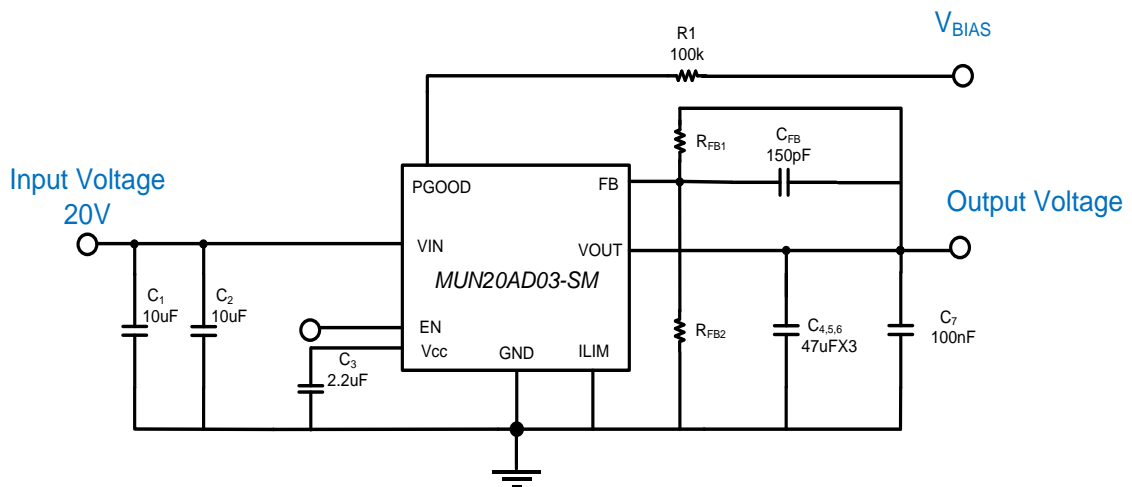
The following figures provide the typical characteristic curves at 5.0Vout.



## APPLICATIONS INFORMATION:

### REFERENCE CIRCUIT FOR GENERAL APPLICATION:

Figure 9 shows the module application schematics for input voltage +20V and turn on by input voltage directly through enable resistor (REN).



**FIG.9 REFERENCE CIRCUIT FOR GENERAL APPLICATION**

**APPLICATIONS INFORMATION: (Cont.)****INPUT FILTERING:**

The module should be connected to a source supply of low AC impedance and high inductance in which line inductance can affect the module stability. An input capacitor must be placed as near as possible to the input pin of the module so to minimize input ripple voltage and ensure module stability.

**OUTPUT FILTERING:**

To reduce output ripple and improve the dynamic response as the step load changes, an additional capacitor at the output must be connected. Low ESR polymer and ceramic capacitors are recommended to improve the output ripple and dynamic response of the module.

**PROGRAMMING OUTPUT VOLTAGE:**

The module has an internal  $0.6V \pm 1.1\%$  reference voltage. The output voltage can be programmed by the dividing resistor ( $R_{FB}$ ) which connects to both Vout pin and FB pin. The output voltage can be calculated by Equation 1, resistor choice may be referred TABLE 1.

$$V_{OUT} (V) = 0.6 \times \left( 1 + \frac{R_{FB1}}{R_{FB2}} \right) \quad (EQ.1)$$

Vout	RFB1(Ohm)	RFB2 (Ohm)
1.0V	13.3k	20k
1.2V	20.0k	20k
1.8V	40.2k	20k
2.5V	63.3k	20k
3.3V	90.8k	20k
5.0V	147k	20k

**TABLE 1 Resistor values for common output voltages**



## REFLOW PARAMETERS:

Lead-free soldering process is a standard of electronic products production. Solder alloys like Sn/Ag, Sn/Ag/Cu and Sn/Ag/Bi are used extensively to replace the traditional Sn/Pb alloy. Sn/Ag/Cu alloy (SAC) is recommended for this power module process. In the SAC alloy series, SAC305 is a very popular solder alloy containing 3% Ag and 0.5% Cu and easy to obtain. Figure 56 shows an example of the reflow profile diagram. Typically, the profile has three stages. During the initial stage from room temperature to 150°C, the ramp rate of temperature should not be more than 3°C/sec. The soak zone then occurs from 150°C to 200°C and should last for 60 to 120 seconds. Finally, keep at over 217°C for 60 seconds limit to melt the solder and make the peak temperature at the range from 240°C to 250°C. It is noted that the time of peak temperature should depend on the mass of the PCB board. The reflow profile is usually supported by the solder vendor and one should adopt it for optimization according to various solder type and various manufacturers' formulae.

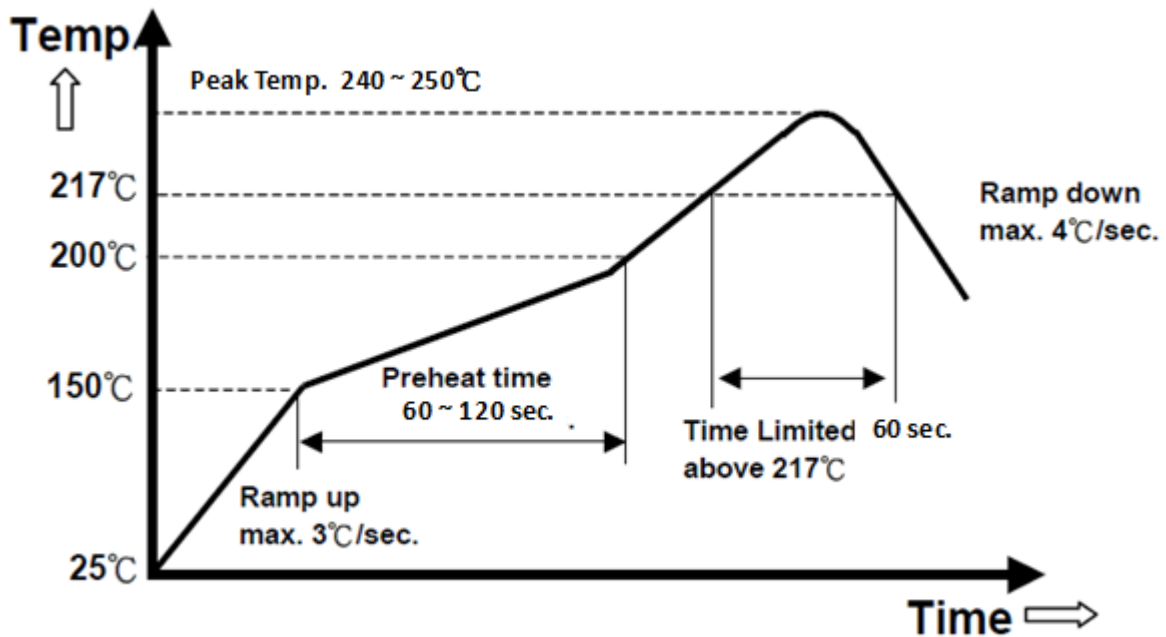


FIG.10 Recommendation Reflow Profile

## APPLICATIONS INFORMATION: (Cont.)

### Recommendation Layout Guide:

In order to achieve stable, low losses, less noise or spike, and good thermal performance some layout considerations are necessary. The recommendation layout is shown as Figure 59-62.

1. The ground connection between pin 23, pin25 and pin 5 to 7 should be a solid ground plane under the module. It can be connected one or more ground plane by using several Vias
2. Place high frequency ceramic capacitors between pin 1, pin 19 to 21 (VIN), and pin 23, pin25, pin 5 to 7 (GND) for input side; and pin 24, pin 10 to 14 (VOUT), and pin 23, pin25, pin 5 to 7 (GND) for output side, as close to module as possible to minimize high frequency noise.
3. Keep the  $R_{FB}$  connection trace to the module pin 16 (FB) short.
4. Use large copper area for power path (VIN, VOUT, and GND) to minimize the conduction loss and enhance heat transferring. Also, use multiple Vias to connect power planes in different layer.
5. Avoid any sensitive signal traces near the pin 24, and pin 2 to 4 (PHASE).

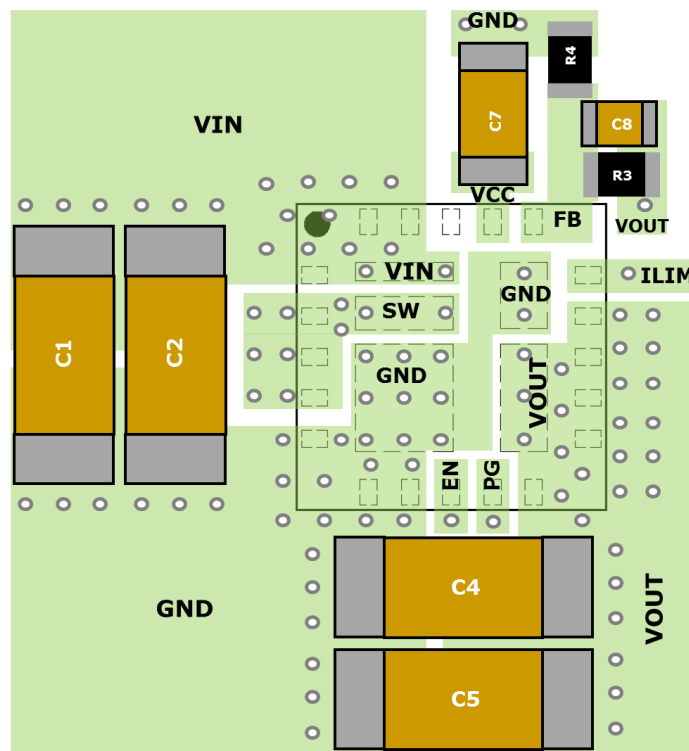


FIG.11 Recommendation Layout (Top)

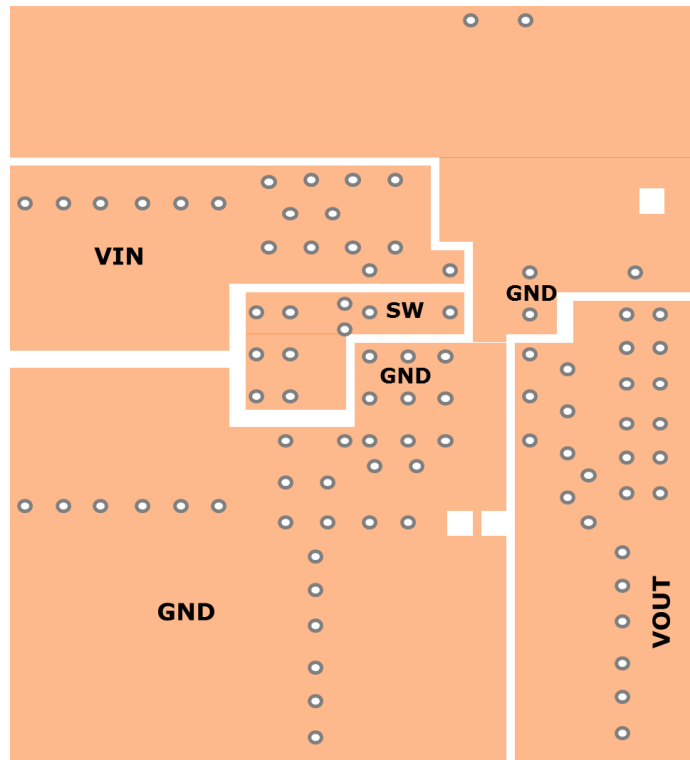


FIG.12 Recommendation Layout (Middle 1)

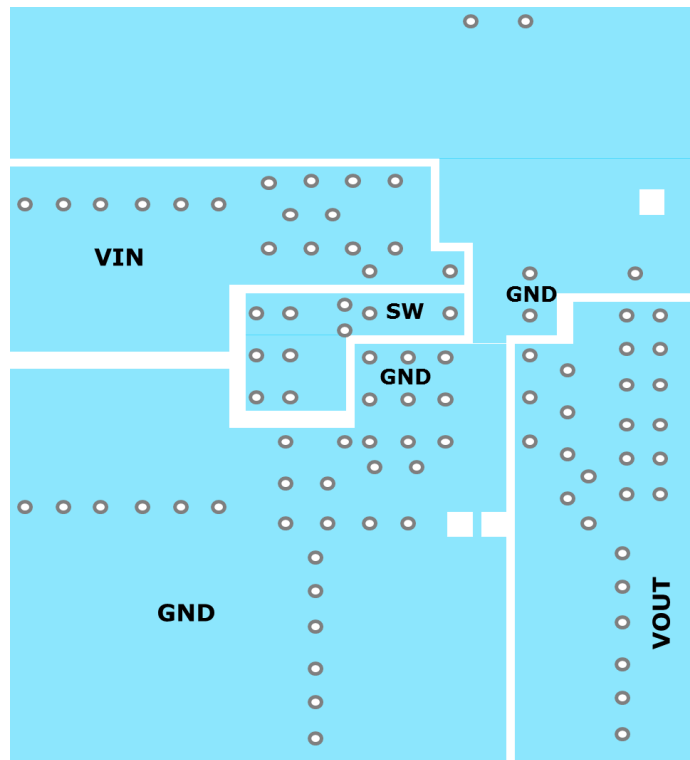


FIG.13 Recommendation Layout (Middle 1)

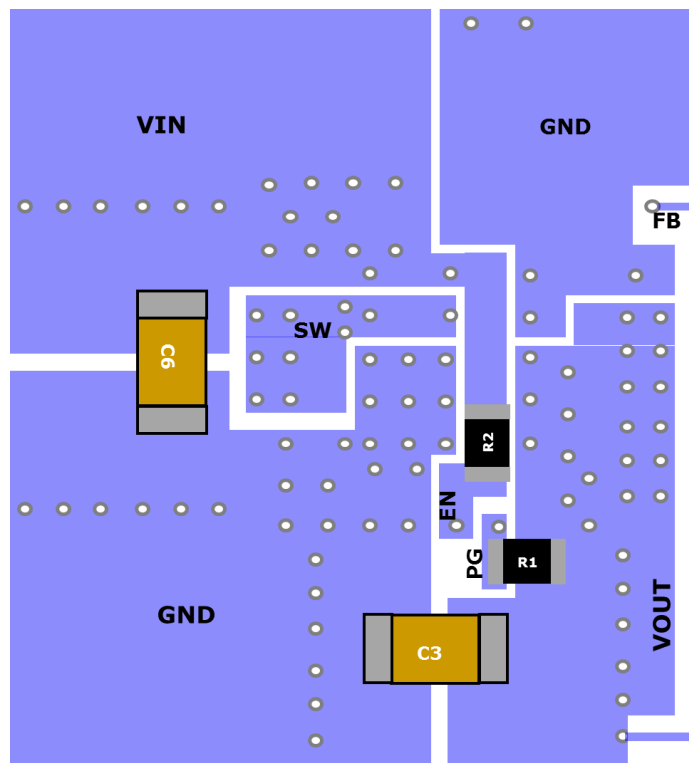
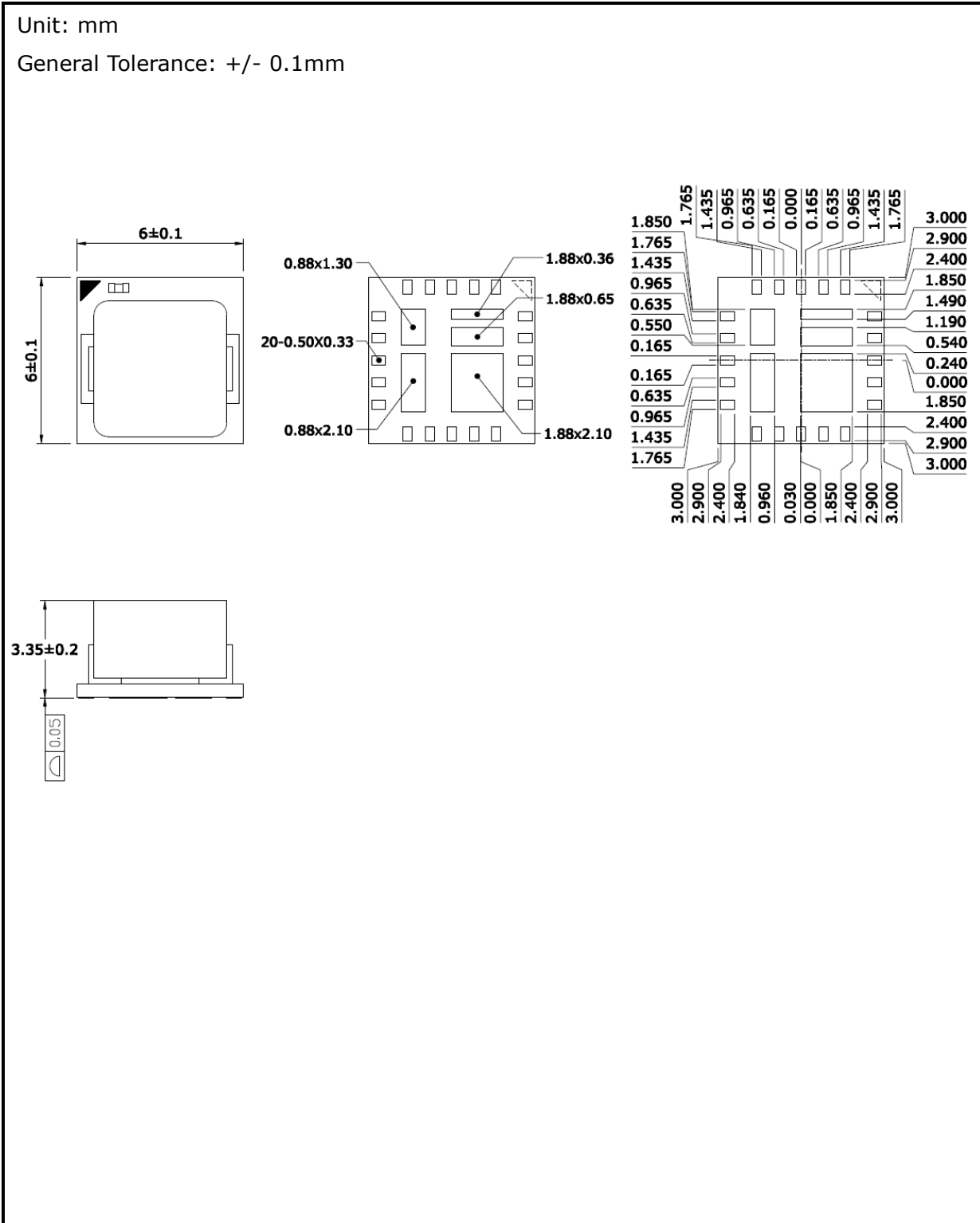


FIG.60 Recommendation Layout (Middle 1)

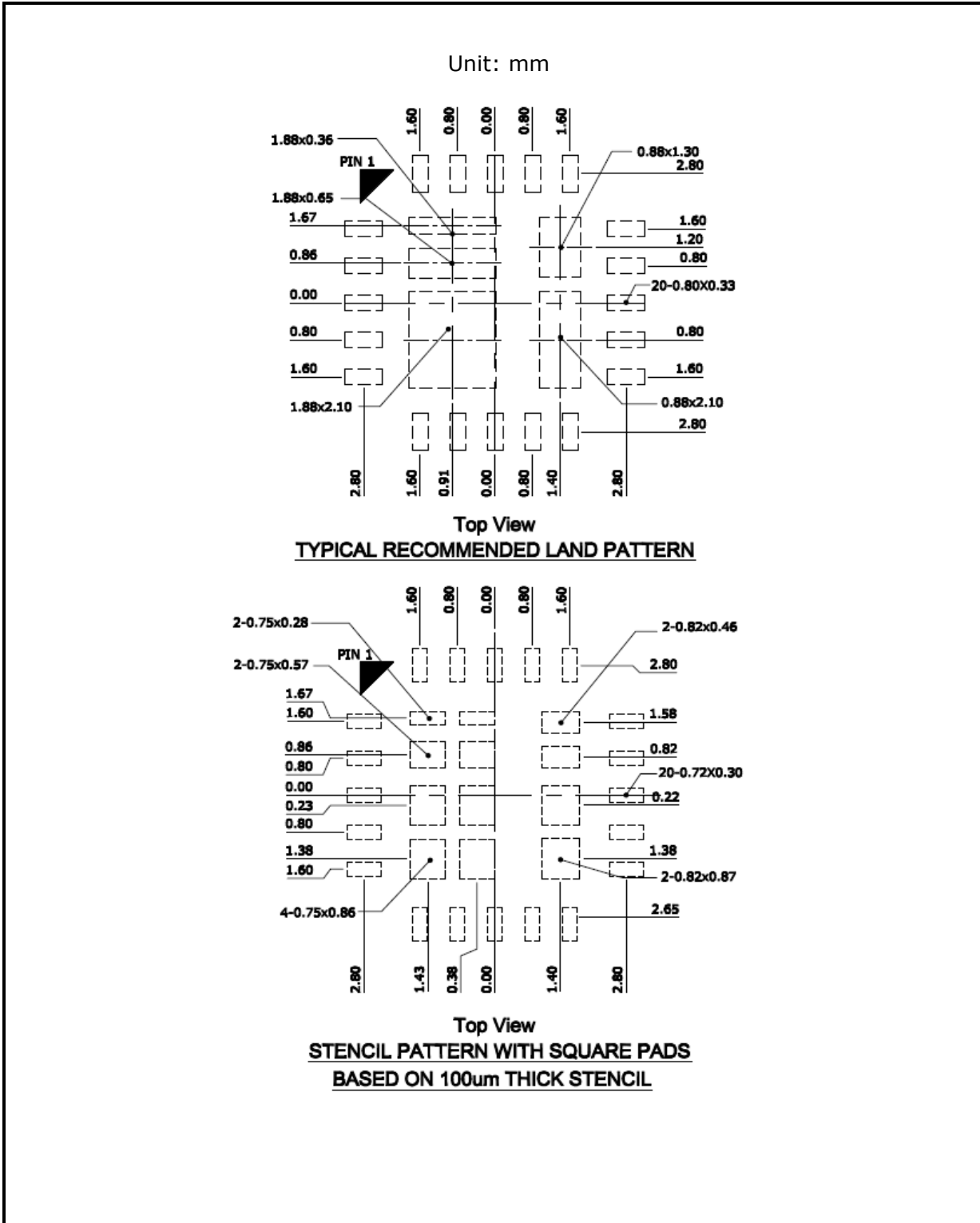
## PACKAGE OUTLINE DRAWING:

Unit: mm

General Tolerance: +/- 0.1mm



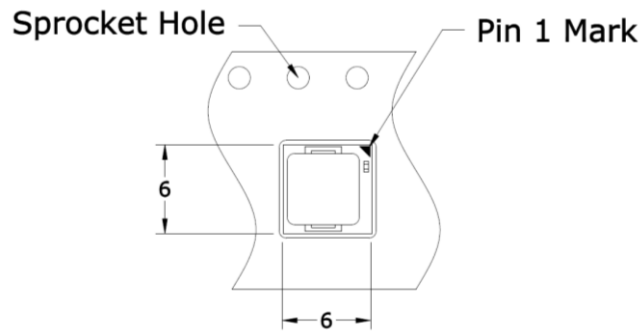
## LAND PATTERN REFERENCE:



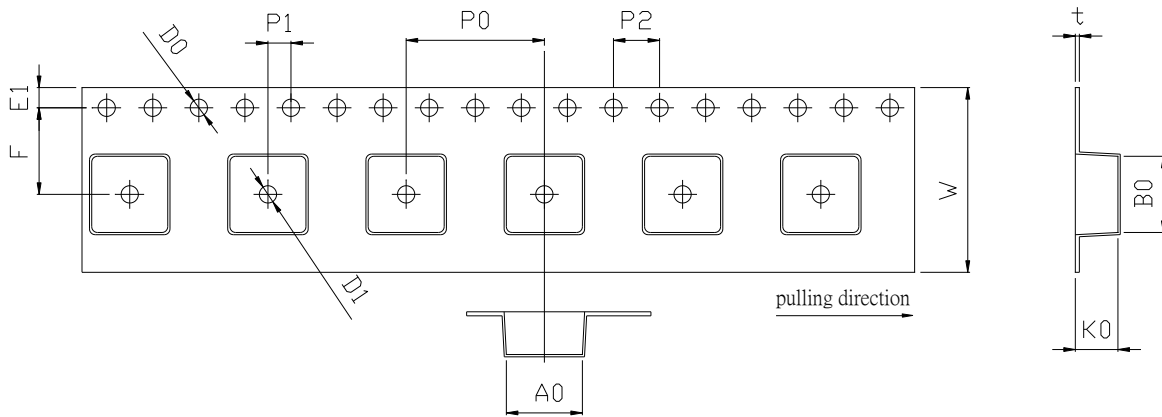
## PACKING REFERENCE:

Unit: mm

### Package In Tape Loading Orientation



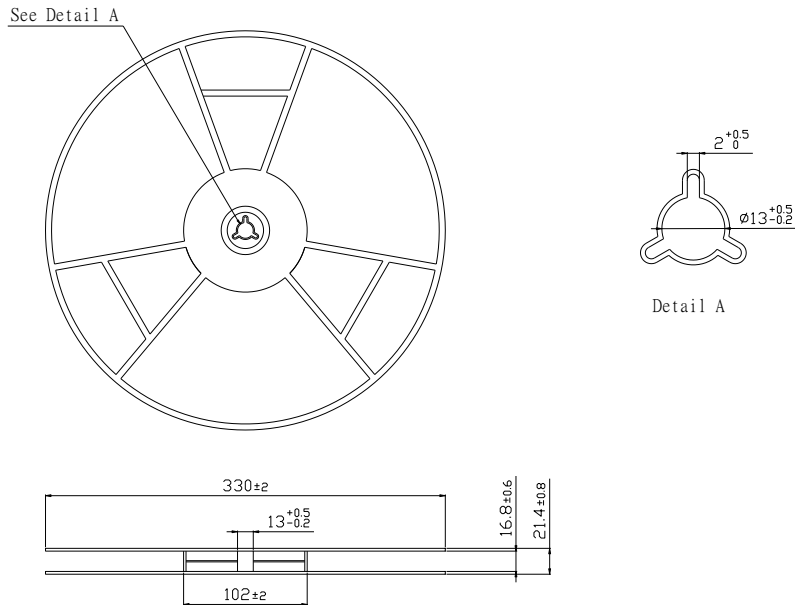
### Tape Dimension



A0	6.60 ± 0.10	E1	1.75 ± 0.10
B0	6.60 ± 0.10	K0	3.70 ± 0.10
F	7.50 ± 0.10	P0	12.00 ± 0.10
W	16.00 ± 0.30	P1	2.00 ± 0.10
D0	φ1.5 +0.1/-0.0	P2	4.00 ± 0.10
D1	φ1.5 Min.	t	0.35 ± 0.05

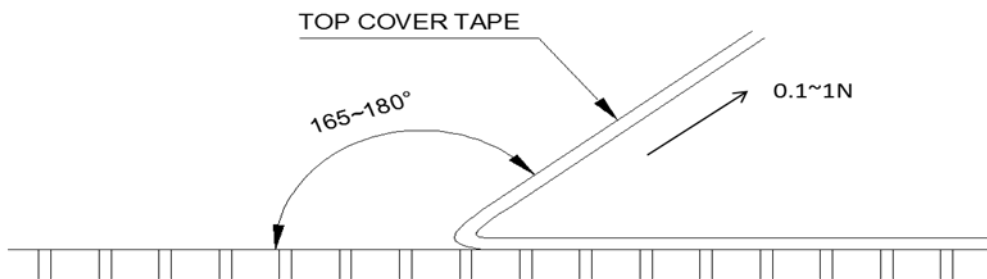
**PACKING REFERENCE: (Cont.)**

Unit: mm

**Reel Dimension**

**Peel Strength of Top Cover Tape**

The peel speed shall be about 300mm/min.

The peel force of top cover tape shall be between 0.1N to 1.3N





**REVERSION HISTORY:**

<b>Date</b>	<b>Revision</b>	<b>Changes</b>
2015.10.29	Preliminary	Release the preliminary specification.
2016.05.05	01	Change FB Resistor for output voltages
2016.06.19	02	Add test Conditions Change Recommendation Operating Ratings
2017.03.30	03	Add PGOOD sink current spec