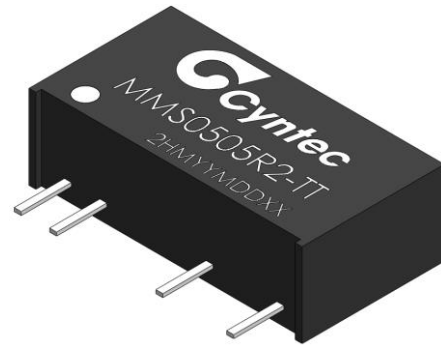


### FEATURES:

- Industrial Standard SIP-7 Package
- 3000VDC isolation test voltage "Hi Pot Test"
- Regulated Outputs
- Protections : SCP
- Lead free, RoHs Compliant
- Low ripple and noise

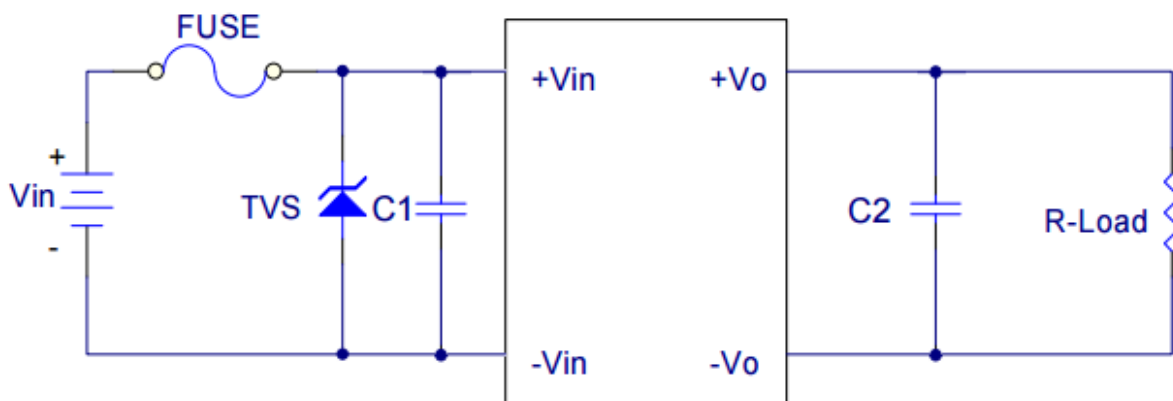


### GENERAL DESCRIPTION:

MMS series are miniature SIP package, isolation 1W converter with 3000VDC isolation, and it offers the circuit protection and allows a wide operating temperature range of -40° to +95°.

Model Number	Input Voltage	Output Voltage	Output Current		Input Current		Load Regulation	Max. capacitive Load	Efficiency @Max. Load
			Min	Max	@Max.Load	@No Load			
	VDC	VDC	mA	mA	mA(Typ)	mA(Typ)	% (max.)	uF	% (Typ)
MMS0505R2-TT	5 (4.5~5.5)	5	0	200	267mA	33mA	±1	47	75

### TYPICAL APPLICATION CIRCUIT



Note : TVS , C1 , C2 Option Application

**ELECTRICAL SPECIFICATIONS: (Cont.)**Conditions: T<sub>A</sub> = 25 °C

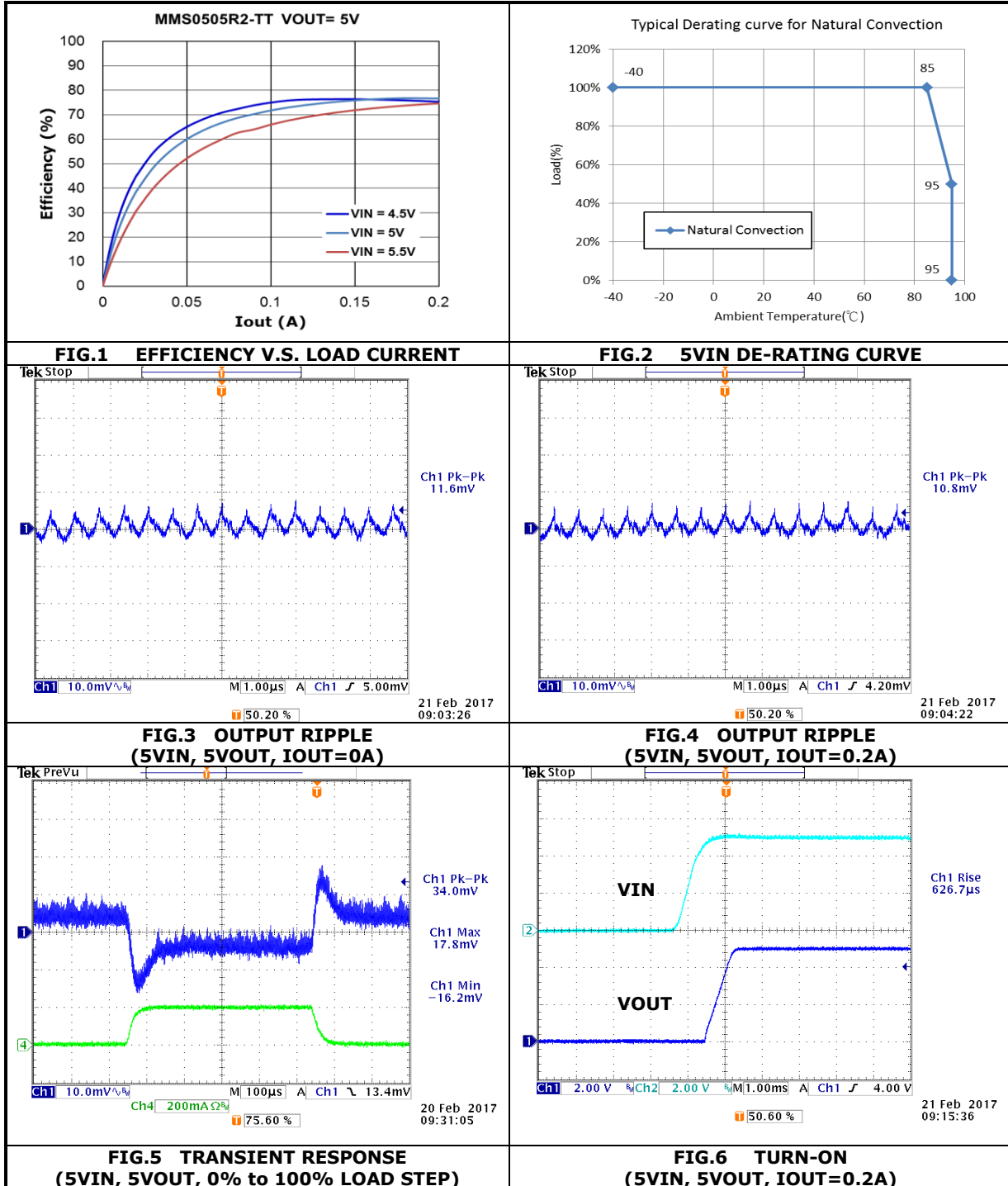
Parameter	Conditions	Min.	Typ.	Max.	Unit
<b>■ Input Characteristics</b>					
Input Surge Voltage(1 sec. max.)	5V Input Models	-0.3	---	5.8	VDC
Input Voltage Range	5V Input Models	4.5	5	5.5	
Input Filter		Internal Capacitor			
<b>■ Output Characteristics</b>					
Output Voltage Setting Accuracy		-3	---	3	%
Line Regulation	V <sub>in</sub> =4.75V to 5.5V at Max. load	---	---	1	%
	V <sub>in</sub> =4.5V to 4.75V at Max. load	-8	---	0	%
Load Regulation	I <sub>o</sub> =0% to 100%,V <sub>in</sub> =5V	---	---	1.0	%
Ripple & Noise (20MHz)	20 MHz BW		15	30	mV p-p
Temperature Coefficient	V <sub>in</sub> =5V at Max. load	---	0.01	0.02	%/°C
Short Circuit Protection	10 Second Max, Automatic Recovery				
<b>■ General Characteristics</b>					
I/O Isolation Voltage (rated)	60 Seconds (V <sub>in</sub> /V <sub>out</sub> )	3000	---	---	VDC
I/O Isolation Resistance	500 VDC	1	---	---	GΩ
I/O Isolation Capacitance	100KHz,1V	---	25	35	pF
Switching Frequency		300	410	620	KHz
MTBF (calculated)	MIL-HDBK-217F@25°C, Ground Benign	---	29	---	MHours
<b>■ Environmental Characteristics</b>					
Operating Ambient Temperature Range (See Power Derating Curve)	Natural Convection	-40	---	+95	°C
Case Temperature		---	---	+100	°C
Storage Temperature Range		-50	---	+125	°C
Humidity(non condensing)		---	---	95	% rel.H
Cooling	Natural Convection				
Lead Temperature(1.5mm form case for 10 Sec.)		---	---	260	°C
<b>Recommended Outside</b>					
Input Fuse	5V Input Models	See Note 5			

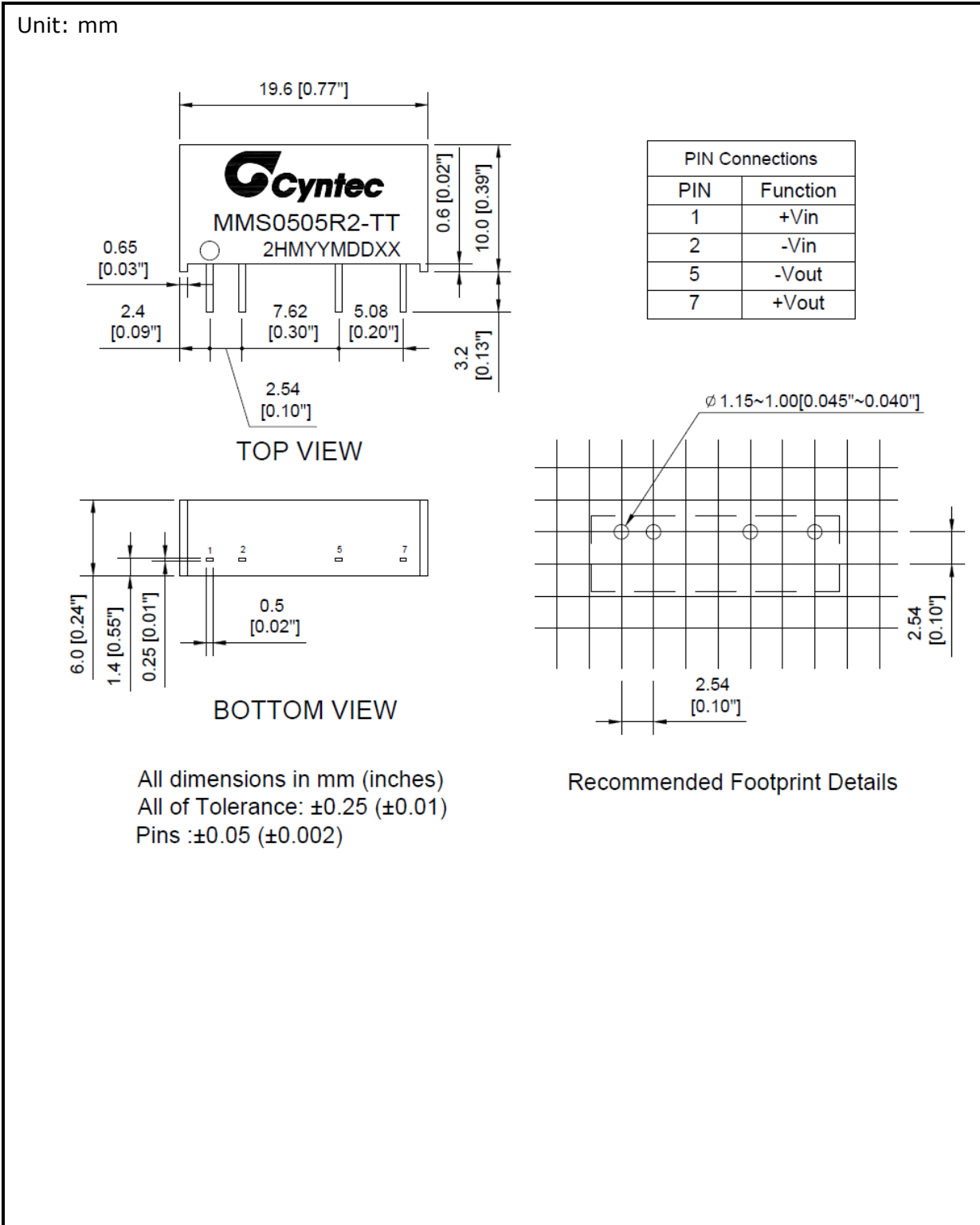
**Notes**

- Specifications typical at T<sub>a</sub>=+25°C, resistive load, nominal input voltage and rated output current unless otherwise noted.
- Ripple & Noise measurement bandwidth is 20MHz.
- The output noise is measured with 0.33uF ceramic capacitor.
- All DC/DC converters should be externally fused at the front end for protection.
- We recommend to protect the converter by a slow blow fuse in the input supply line.

## TYPICAL PERFORMANCE CHARACTERISTICS: (5VOUT)

Conditions:  $T_A = 25\text{ }^\circ\text{C}$ , unless otherwise specified. The output ripple and transient response measurement is short loop probing and 20MHz bandwidth limited. The following figures provide the typical characteristic curves at 5Vout.



**PACKAGE OUTLINE DRAWING:**


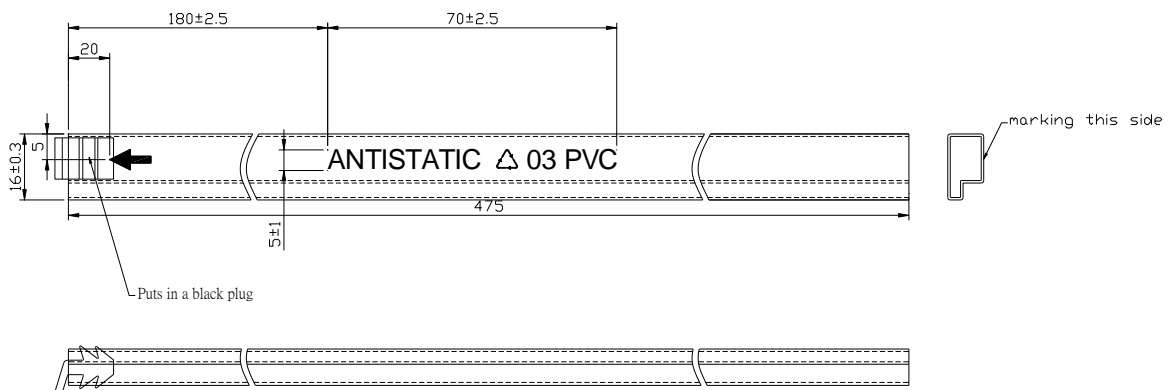
**PACKING INFORMATION:**

Unit: mm

**Package In Tube Loading Orientation**



**Tube Dimension**





**REVISION HISTORY:**

<b>Date</b>	<b>Revision</b>	<b>Changes</b>
2018.6.15	00	Official released.