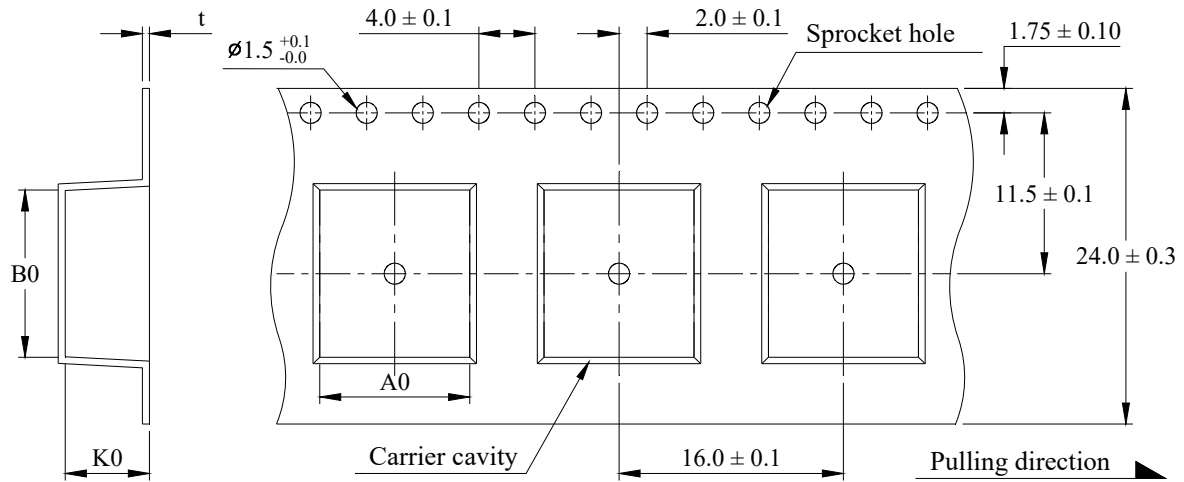


### ■ Packaging

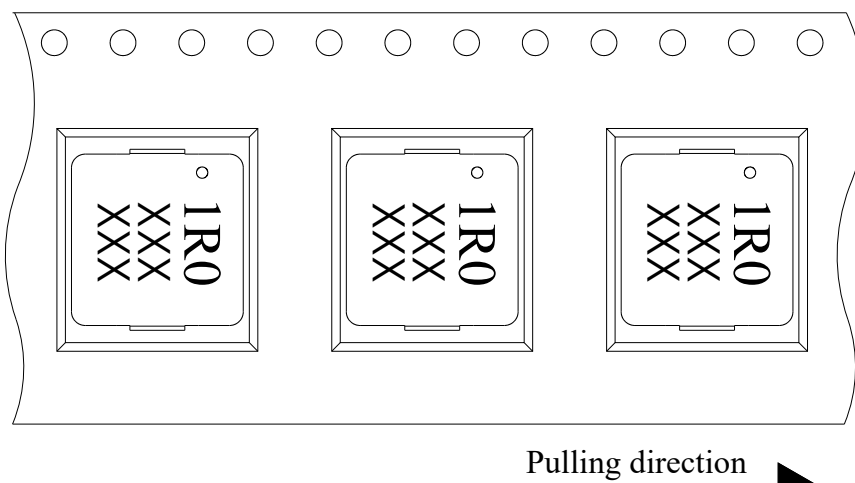
#### (1) Tape packaging dimensions



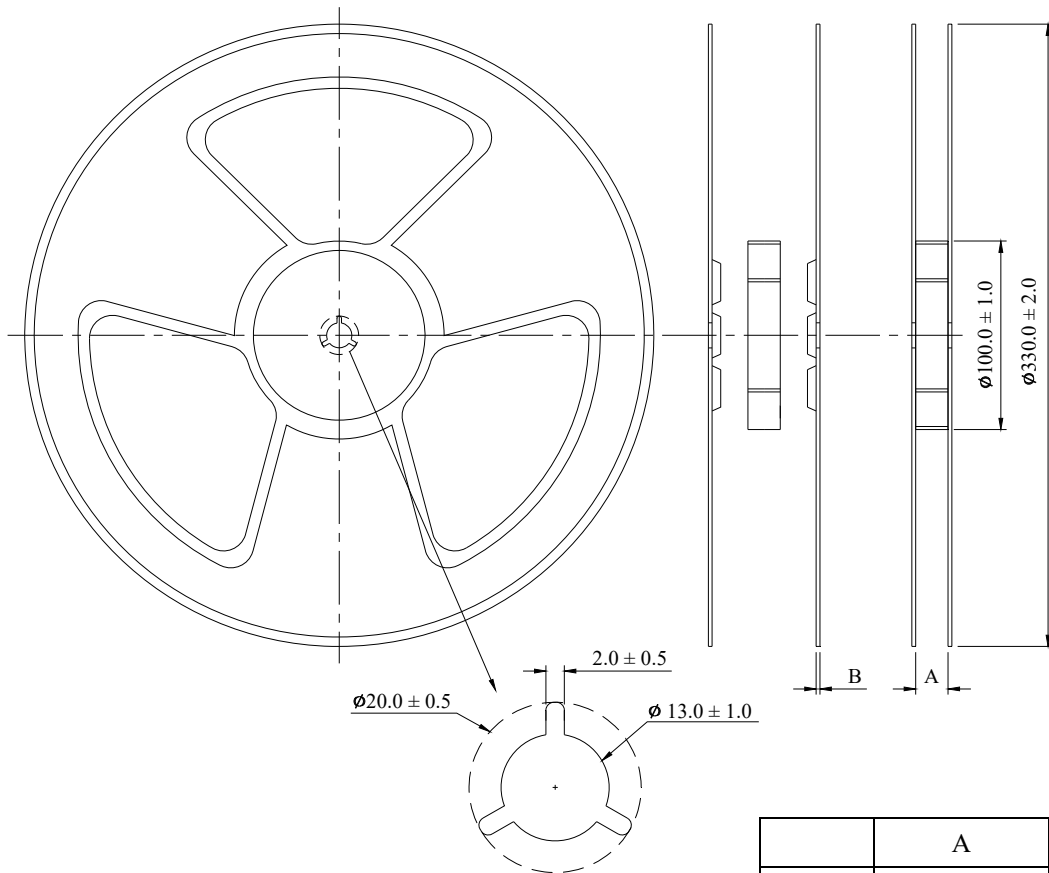
Dimensions Code (mm)				UNITS/REEL
A0	B0	K0	t	
$10.7 \pm 0.1$	$12.0 \pm 0.1$	$6.0 \pm 0.1$	$0.50 \pm 0.05$	500

#### (2) Tape direction

The direction shall be seen from the top cover tape side.



(3) Reel dimensions

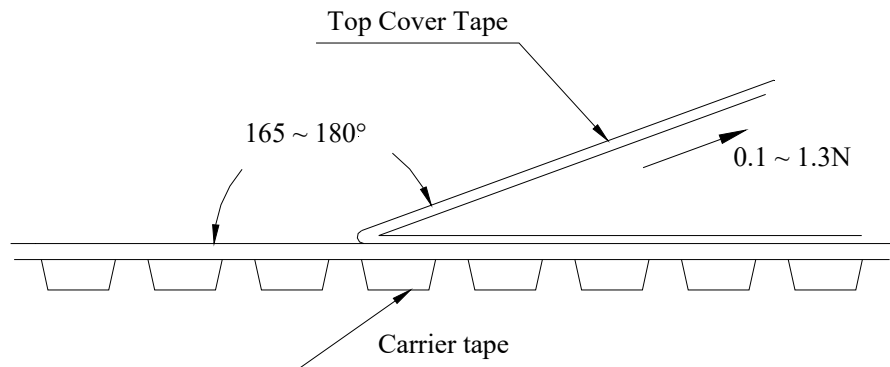


	A	B
mm	$24.5 \pm 0.5$	$2.0 \pm 0.2$

(4) Peel force of top cover tape

The peel speed shall be about 300 mm/minute.

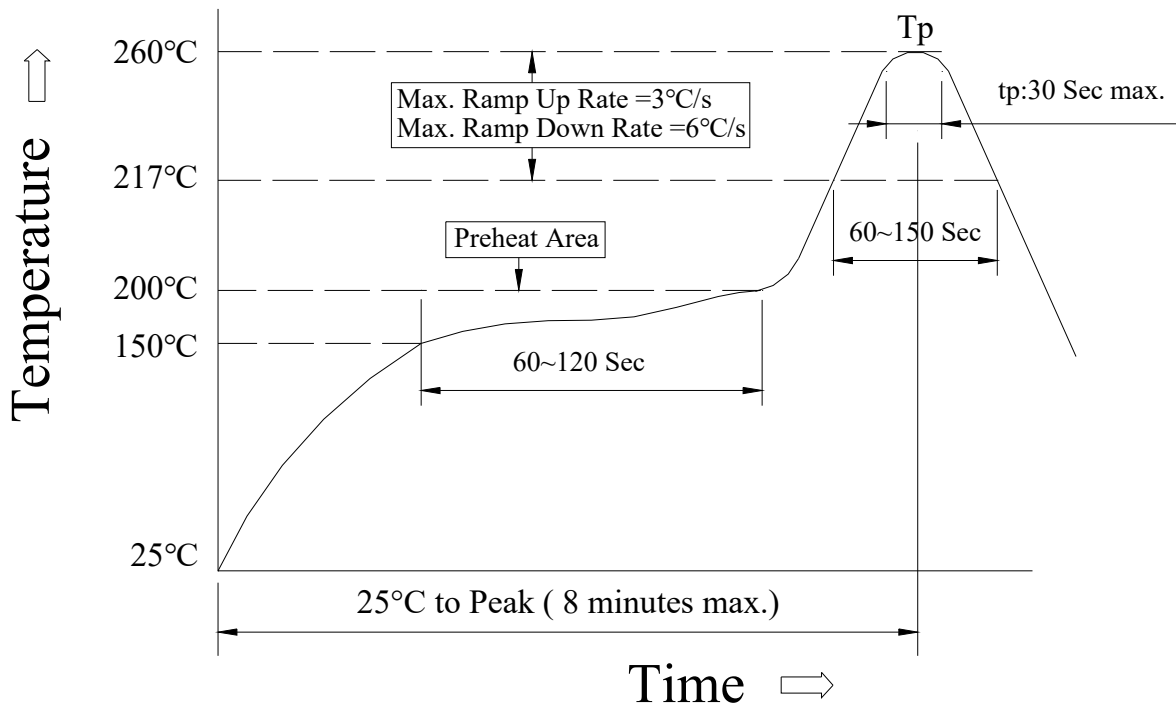
The peel force of top cover tape shall be between 0.1 to 1.3N.





■ Reflow Profile

Power Choke Coil Type



(1) Reflow Soldering Method :

Reflow Soldering	Tp: 255~260°C	Max. 30 seconds ( tp )
	217°C	60~150 seconds
Pre-Heat	150 ~ 200°C	60~120 seconds
Time 25°C to peak temperature	8 minutes max.	

(2) Soldering iron Method : 350 ± 5°C max. 3 seconds