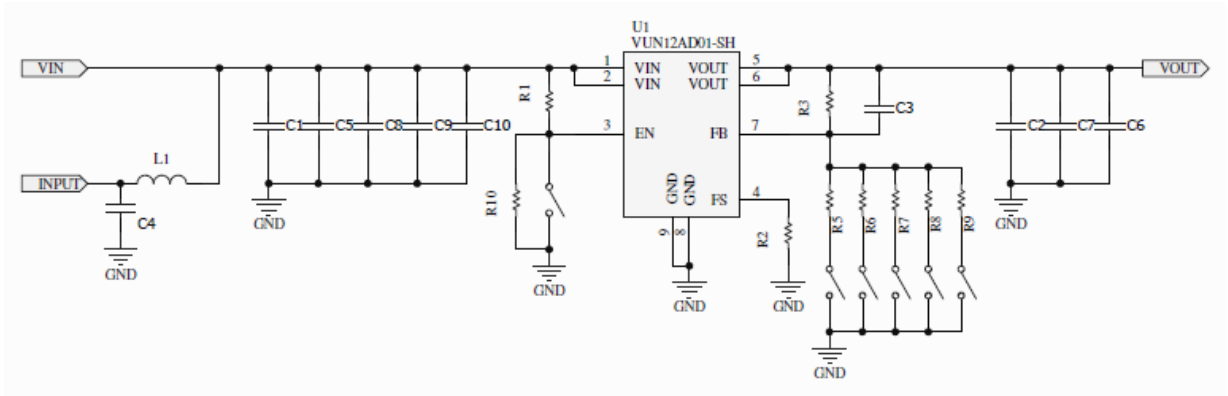
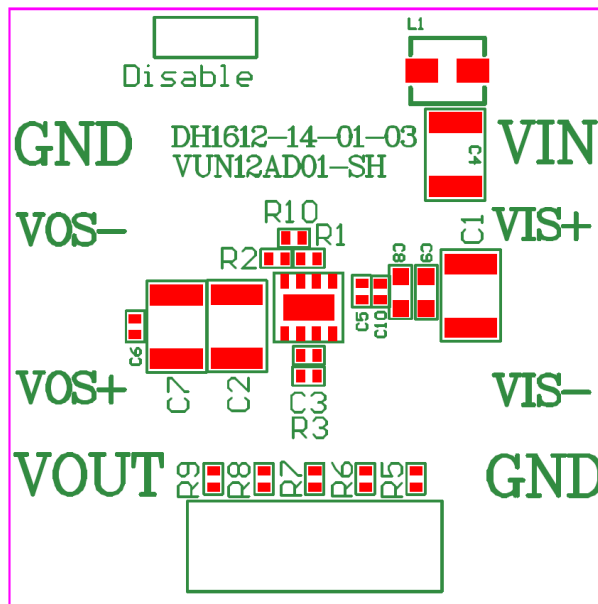


EVALUATION BOARD SCHEMATIC:



TEST POINTS INFORMATION:



PROGRAMMING OUTPUT VOLTAGE:

$$V_{OUT} (V) = 0.6 \times \left(1 + \frac{100k}{R_{FB}} \right) \quad (EQ.1)$$

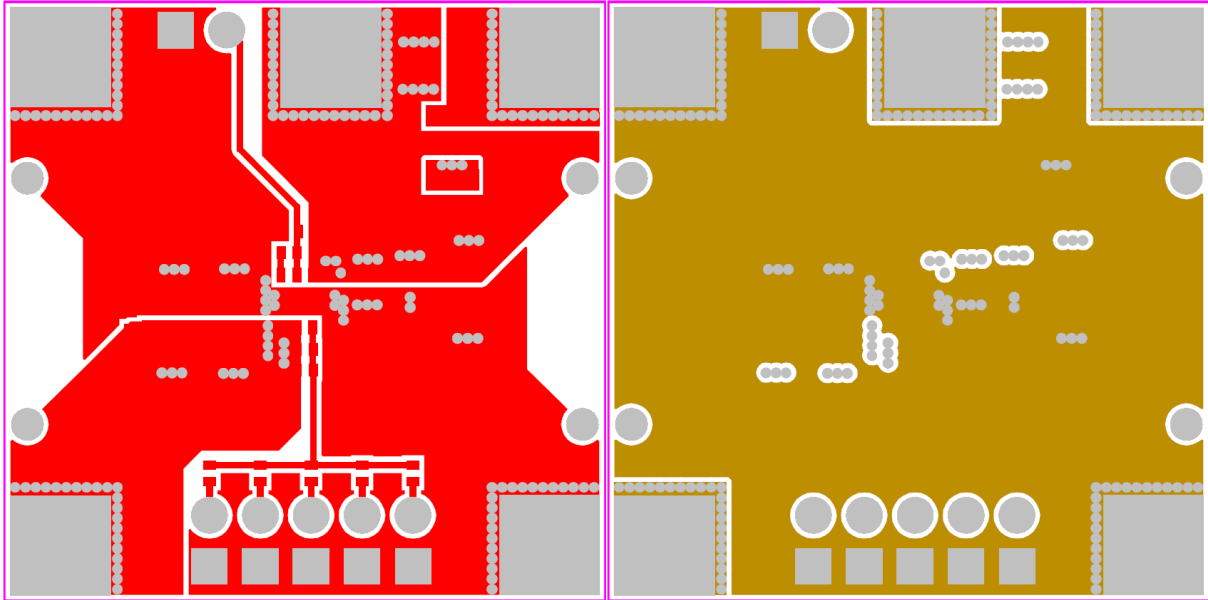
Vout (V)	3.3	5.0	6.0	7.2
R _{FB}	22.22KΩ	13.64KΩ	11.11KΩ	9.09KΩ

TABLE 1: OUTPUT VOLTAGE SETTING BY CALCULATION

BOM LIST:

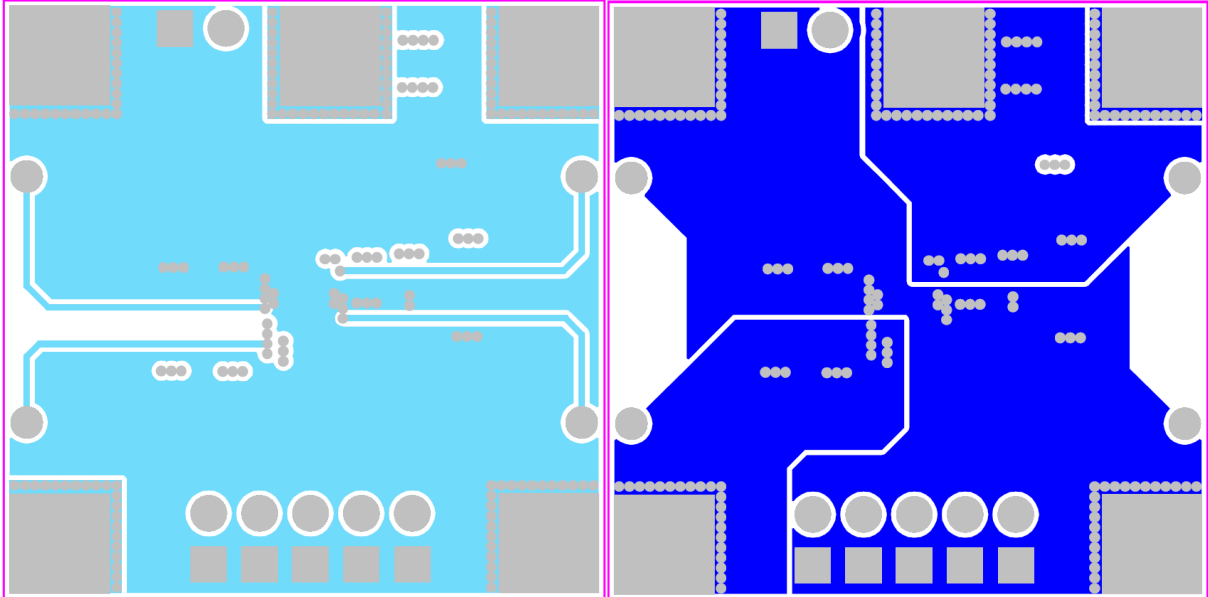
Designator	Function	Description
C1	Input Cap	MLCC / 10uF / 50V / X7R / 1210
C2	Output Cap	MLCC / 22uF / 16V / X7R / 1210
C3	Compensation Cap	MLCC / 100pF / 50V / NPO / 0402
C4	EMI filter	MLCC / 10uF / 50V / X7R / 1210
C5	EMI filter	MLCC / 100pF / 50V / X7R / 0402
C6	Output Cap	MLCC / 0.1uF / 50V / X7R / 0402
C7	Output Cap	MLCC / 22uF / 16V / X7R / 1210
C8	EMI filter	MLCC / 0.01uF / 50V / X7R / 0603
C9	EMI filter	MLCC / 0.1uF / 50V / X7R / 0603
C10	EMI filter	MLCC / 1nF / 50V / X7R / 0402
R1	ENH	100k ohm / 0402
R2	RFS	-
R3	RFBH	100k ohm / 0402
R5	RFBL	22.1K ohm / 0402
R6	RFBL	13.7K ohm / 0402
R7	RFBL	11K ohm / 0402
R8	RFBL	9.1K ohm / 0402
R9	RFBL	-
R10	ENL	-
L1	EMI filter	SDEM25201B-2R2MS
U1	Module	VUN12AD01-SH

PRINTED CIRCUIT BOARD LAYOUT:



Top Layer

Mid 1 Layer



Mid 2 Layer

Bottom Layer



VUN12AD01-SH EVB GUIDE

REVISION HISTORY:

Date	Revision	Changes
2016.11.02	00	Issue initial preliminary EVB guide.
2017.01.24	01	Update EVB layout, schematic and BOM list for EMI test
2019.03.08	02	Update EVB BOM list